



# MTC-CW633-10kg

## Checkweigher Auto Weighing Machine

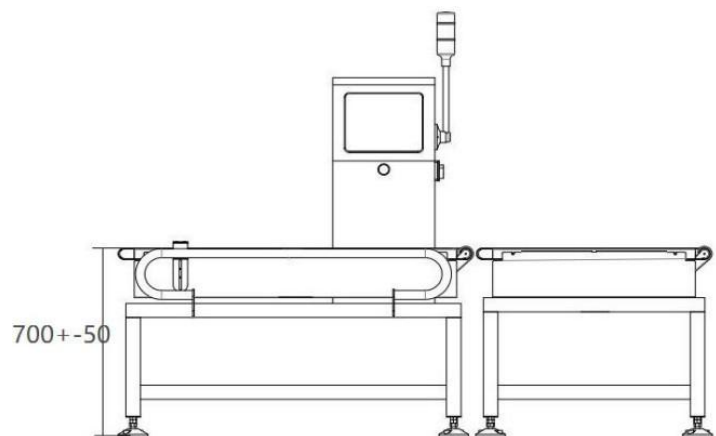
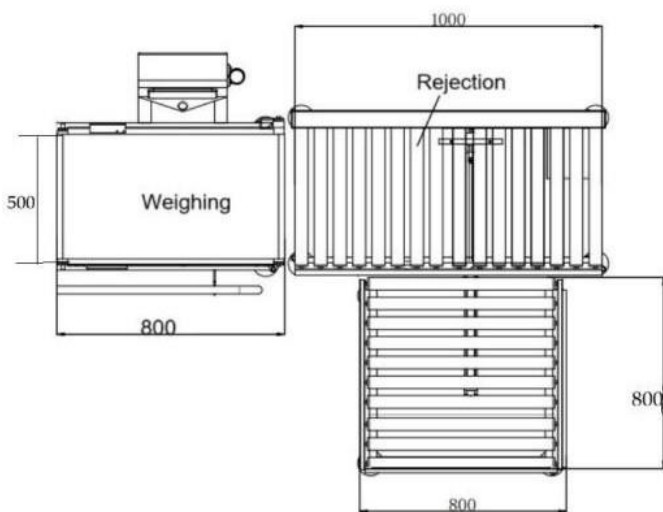
### General specifications



PHYSICAL SPECIFICATIONS	
Weighing Range	10kg
Accuracy:	+(2-5)g
Minimum Scale	1g
Throughput	Max.~30-40pcs/min(adjustable)
Belt Dimension	L800x W500mm
Reject Section	Pusher
Additional Function	Network interface, USB output, RS232 or 485
Belt height from ground	800mm(+50mm)
Transport Direction	From left to right
Display size	10inch.(Full touch screen)
Warranty	2 years



### Dimensions



Matrixcope LLC (USA)



sales@matrixcope.com



www.matrixcope.com