



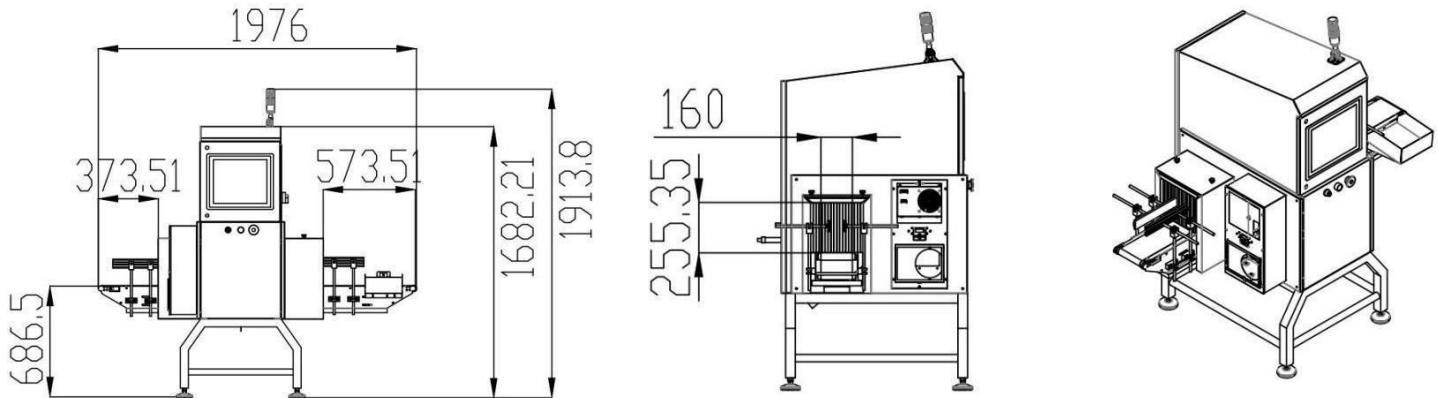
General specifications

SPECIFICATIONS	
X-raySource:	Standard: 240W, 100kV. (Optional: 350W,100kV)
X-rayBeamDirection:	Single X-ray beam from the side
Detector:	0.4mm
DetectionTunnelSize:	220mm (W) × 350mm (H). Customized order is acceptable.
Max. Detection Accuracy without product:	SUS: ≥Φ0.4mm, Ceramic: ≥Φ 1.0mm, Glass: ≥1.5mm
ConveyorSpeed:	20-60 m/min
BearingCapacity:	Standard: ≤10 Kg. Customized order is acceptable.
O/S:	Win 10
Connectivity:	LAN port & USB port
Screen:	21.5 inch full color touchable screen
ParameterAdjustment:	Auto Setting & Manual Setting
OperationLanguages:	English, Russian, Spanish, Korean, French, Chinese and Romanian
Reactiontodefectives:	Buzzer and red light alarm once foreign body is detected
Autorejectionsystemwith SUSbin	Included
Materialofconstruction:	SUS 304
SurfaceTreatment	Mirror Polished / Brushed
CoolingMode:	Industrial cooling fans & Industrial A/C
WorkingEnvironment:	Temperature: -5°C-40°C; humidity: 30-90%RH (no condensation)
PowerSupply:	AC220V ±10% 50/60Hz
Safety:	
X-rayLeakage:	<1μSv/h (Meet FDA and CE standards)
ProtectiveMode:	6 layers of non-lead food grade soft curtain
ConveyorMaterial	Food grade PU belt with FDA certificate
EmergencyStopButton	Yes, included
Multi-levelsmanagement	Yes, Operator, Worker and Administrator three-levels management to meet different operation authority
Peripheral Indicator	The peripheral indicators are used to detect the operating status of external equipment. When the external equipment is normal or abnormal, the corresponding detection result icons will be displayed, and the abnormal parts will be displayed in. The device structure diagram to facilitate investigation.

Remarks:

Both the software and hardware are equipped with complete safety protection, which can constantly inspect the state of machine and avoid the X-ray leakage caused by false operation. For example, if the operator opens the frame of machine, the X-ray irradiation will be stopped immediately.

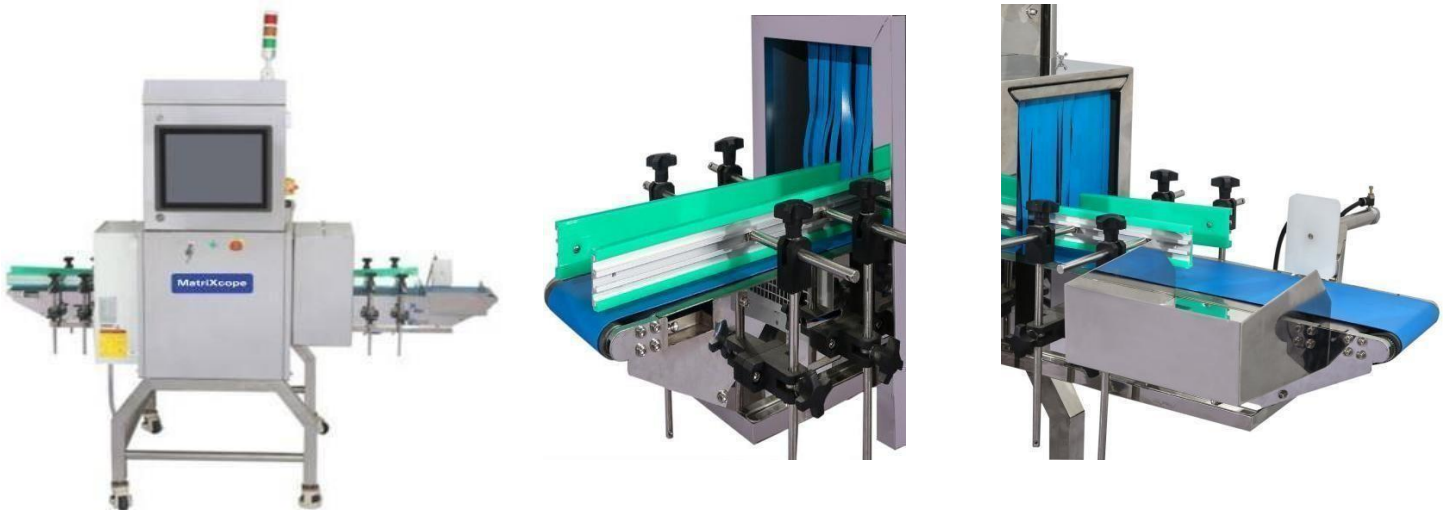




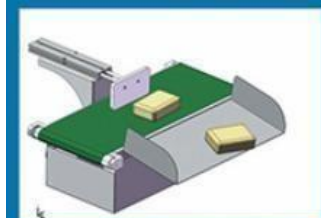
- The MTC – 6100XPRO Series uses X-ray side beam detection technology to inspect contaminants in bottled, canned and jar products.
- The foreign bodies include all metal contamination (Ferrous, Non-ferrous and SUS), Ceramic, Stones and Glass, even for products packaged with metallized material and etc.
- The foreign object is detectable by its density. The greater density they have, the easier they can be found. That is why we normally use X-RAY inspection system to detect even the mosttiny contaminants.

Features

- Safety in design
- Easy-of-use
- Simple maintenance
- Reasonable price



☆ Auto Rejection Systems (OPTIONAL) :



Pusher

Suitable for small or large or thick packed products,



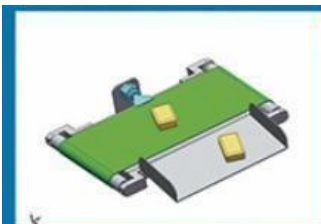
Heavy Load Pusher

Suitable for very large or heavy weight packed products.



Drop down

Suitable for small, thin products or unpacked products.



Air jet

Suitable for small, thin products with light weight, or high-speed line.



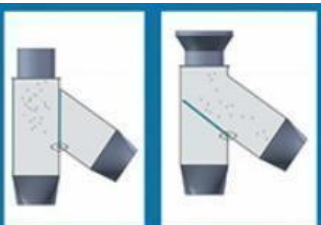
Flipper

Suitable for thick bag, boxed products.



Shuttle

Suitable for small products or unpacked products.

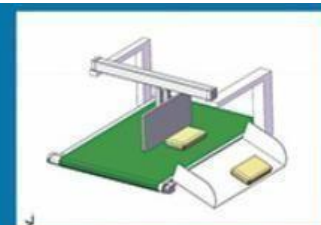


Flap

Suitable for small, thin products or unpacked products.



Suitable for thin, boxed products.



Suitable for box and bottle products, saving installation space.

