



### Product highlights

- \* Power on self test(POST) and diagnosis by component
- \* Modular components design for easy and quick transportation and maintenance
- \* Stable performance, 33/45 localization zones options
- \* Sensitivity adjustment by each zone
- \* Detection of flying objects
- \* Powered by safe low voltage DC
- \* Enter power saving mode and wake-up automatically
- \* DSP Highly integrated digital processing technology brings stable performance avoid false alarm
- \* One key restore of the initial parameters
- \* Password and hardware key access protection
- \* IP 66 weather resistant protection
- \* Embedded battery back-up and charger
- \* Two LED indicating bars showing threat locations on human body
- \* Detect threat objects including magnetic, non-magnetic metals and mixed alloys with high sensitivity to find tiny threat
- \* Super low detection height to find tiny threat
- \* Super low detection height.

### General specifications

Technical specification	
Digital pulse technology	Digital signal processing and filtering system with excellent ability to resist electromagnetic interference
Low-intensity magnetic field technology	Compliant with international safety standard, and harmless to pacemakers, pregnant women, floppy disks, films, videos, etc.
Operation control	Operates with a remote controller and 5 buttons at the screen for all functions Screen 7 inch LCD
Detection	Maximum 33/45 localization zones to identify multiple target locations, 11 from head to toe, 3 from left to right
Minimum height of detection	10mm
Alarm	- Sound and light, 2 LED light bars on both of the front door frame sides - 16 sounds and 20 volume levels for selection - Sound length 0-9 seconds for selection - LED alarm time 0-9 seconds for selection
Counter	Intelligent traffic and alarm counters that calculate traffic flow, in and out, and the alarm result.
Calibration	No need periodic calibration
Detect speed	Maximum 100 person/minute, adjustable
Sensitivity limit	Can detect a one-cent coin, or a clip
Sensitivity setting	0-300 adjustable by each zone, according to the size and density of metal objects to be detected 30 application sites pre-set for selection
Adjustable signal frequencies	100 working frequency/channel options
Minimum distance between two WTMD	0.5m at high sensitivity
Tamper-Proof	Operation program is protected by password
Gate material	Special material board, fire-proof, corrosion proof, moisture-proof, anticollision, and no deformation.
Weather proof	IP66, supporting outdoor work
Passenger and alarm record	100,000 records for passengers in and out and alarm
Options	Battery or UPS, Integrated with camera, turnstile, network with PC by USB or WIFI, etc
Operating Environment	
Power supply	AC100V~240V 50/60Hz
Power adapter	Output: 15Vdc, 5A Dimensions (L x W x H): 115x50x30 mm Cable length: 2.5m Weight: 0.3KG
Maximum power consumption	15W
Operation temperature/Humidity	-200C ~ 600C / 0% ~ 95% (non-condensing)



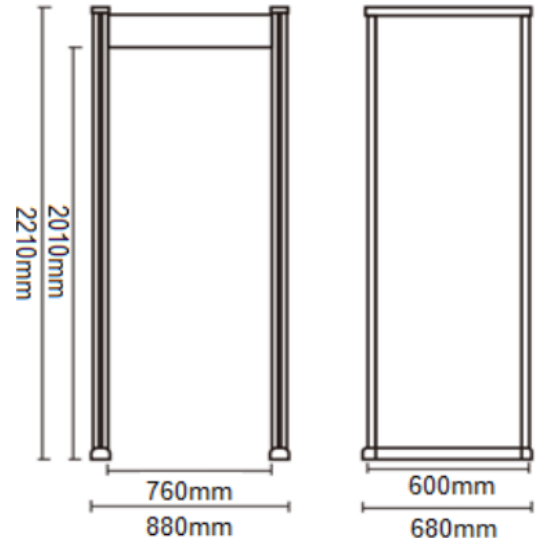


# MTC-MD45 (outdoor use)

Walk Through Metal Detector

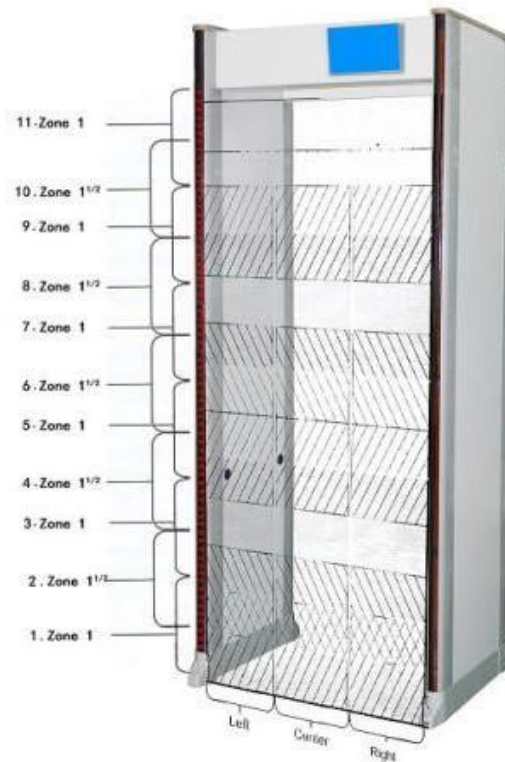
## Physical Specification

Unit weight (kgs)	63
Outer frame	2210mm (h) * 880mm (w) * 680mm (d)
Inner frame	2010mm (h) * 760mm (w) * 600mm (d)
after packed in carton -	
Gross weight (kgs)	68
Packing size	#1: 232*73*26cm
<b>Compliance</b>	
International	* ISO19001; ISO14001; ISO45001 * CE EMC, LVD, RoHS * FCC



## Dimensions

Program Setting	
Sensitivity	Display
Alarm	Diagnosis
Zone	Safety grade
Time	Location
Language	Records
System	Password



Matrixcope LLC (USA)



sales@matrixcope.com



www.matrixcope.com