



General specifications

PHYSICAL SPECIFICATIONS

Technology	Ion Mobility Spectrometry, IMS
Explosives identify	Trinitrotoluol(TNT), Hexogen(RDX), Pentaerythritol tetranitrate(PETN), Nitroglycerine(NG), Ammonium nitrate(AN), Black Powder, Dinitrotoluene(DNT), Tetryl, Octogen(HMX), Nitroxanthic acid, Gena, C4, Semtex explosive, TATP, HMTD, Nitroguanidine, HNS, Dinitroglycol, EGDN, DEGND, TNR, MNT, DMNB, PYX, TATB, Dinitrotoluen, etc
Narcotics identify	Cocaine hydrochloride, Heroin hydrochloride, THC, Methamphetamine, Ketamine hydrochloride, Morphine hydrochloride, Dolantin, Ecstasy(MDA), Papaverine, Ecstasy(MDMA), Methyl ephedrine, Methcathinone, Synthetic ephedrine(K2), Shake foot pill(LSD), Triazolam, Pentachlorophenol, Amphetamines (Ben Bingan), Fentanyl, Phenyl piperidine (PCP), Diazepam, Cathinone, MDEA, DHE, etc.
Databases	Open to user. User can add new type explosives or narcotics
Sampling	Wipe sampling of particles and air inlet sampling of vapours with sample cloth stripe
Alarm	Sound and light
Detection limit	50pg cocaine; 50pg TNT
Identify speed	≤ 10 seconds
Warm-up time	< 10 minutes
Detection rate	≥ 99%
False alarm rate	≤ 1%
Display	5.6 inch TFT color touch screen
Maximum consumption	< 100W
Others	Software update by user, drying agent replace reminder Automatic cleaning, calibration, and diagnosis system Drying agent based on molecular sieve which is cheap and easy to change Network port, serial port, USB, SD card



Product highlights

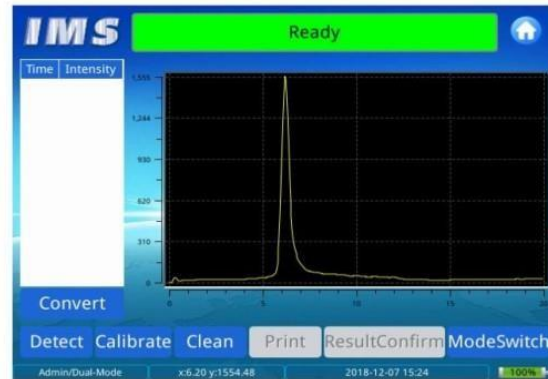
1. Portable with small size and light weight
2. Accurate detection with high sensitivity based on ion mobility spectrometry technology;
3. Dual mode which can simultaneously detect explosives and narcotics without switching the detection mode;
4. High sensitivity to pico gram, accurate and quick result within several seconds;
5. Automatic calibration to adapt to environmental changes;
6. Automatic cleaning after overload detection;
7. Self-diagnosis and real-time warning to help users to monitor whether the instrument is in a proper working state;
8. Large-screen 5.6 inch TFT LCD, supporting the touch screen;
9. Various warning modes, including sound, light, and font color;
10. Real-time storage, more than 1 million records;
11. Built-in printer, which can print the detection results routinely or real-time;
12. Database open to user. User can add new type explosives/narcotics
13. Various data interfaces, including Ethernet, USB, RS232, Wi-Fi, Bluetooth, GPRS and 4G;
14. Real-time update, users can update the software by USB or internet;
15. Low cost consumables, molecular sieve-based Filter Media is low cost and easy to be replaced;
16. Strong packaging: Goods packed by safety box with lining inside, with firm master carton outside
17. Options:
 - Real-time positioning, with GPS positioning capabilities, the instrument is able to show its real-time location;
 - Remote monitoring, including remote status monitoring, result viewing, fault diagnosis and other functions can be realized through the network



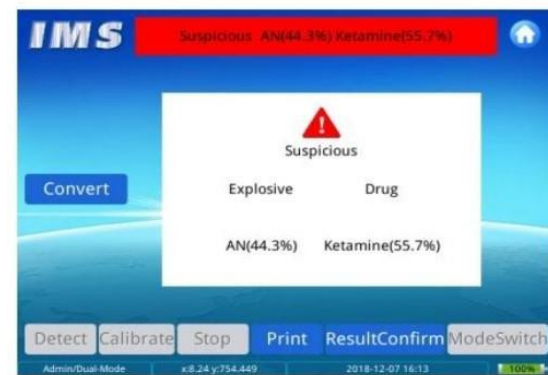
General Specifications

Dimension	290mm(W) x 170mm(L) x 145mm(H)
Weight	3.5 kg
Gross weight	10 kg
Packing size	415*355*235mm
Packing	Shork proof lining safe box
Operating Environment	
Power	100-240VAC 47-63Hz
Operating temperature	-5°C ~ 50°C
Storage temperature	-20°C ~ 60°C
Humidity	45% ~ 99%
Battery Lithium battery pack	14.8V/6700mAh
Continual working time	> 3h and back up time > 12h
UPS	Optional
Compliance	
International	* ISO19001 ; ISO14001 ; OHSMS18001 ; * CE RoHS * FCC

Imaging



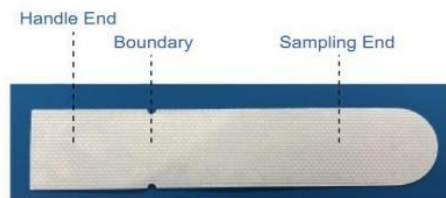
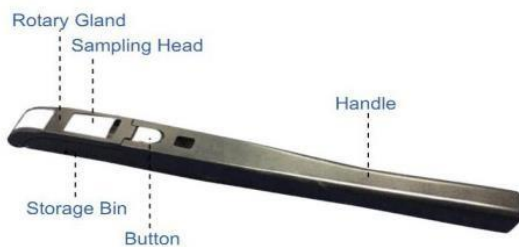
Real-time Spectrum



Suspicious are detected

Accessories

Power adapter, drying agent, sampling rod, sampling cloth stripe, touch pen, calibration stick, glove, cross screwdriver, USB and CD for data output, user manual.
Options: GPS and GMS antenna



GPS Antennas



GSM Antennas



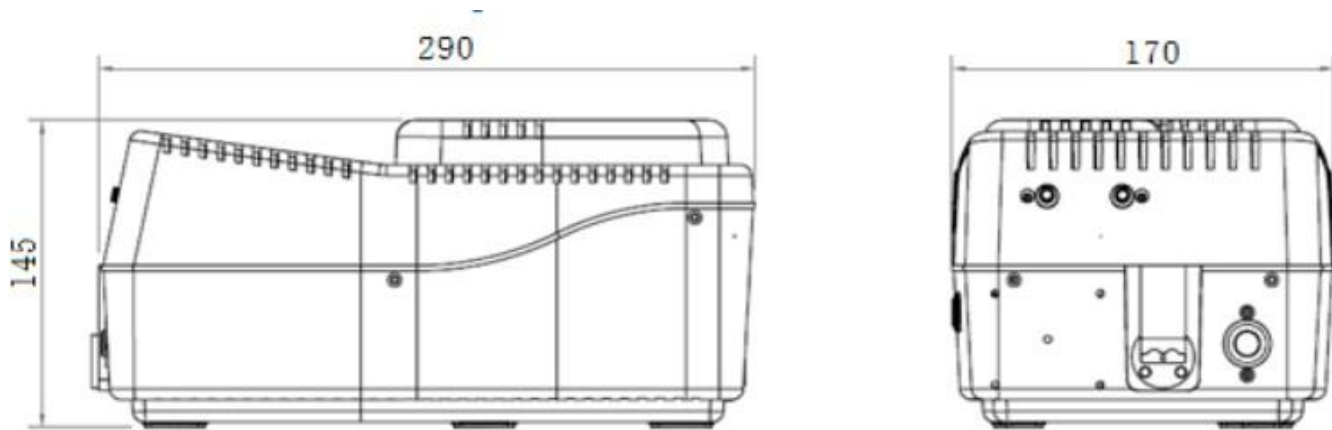
Filter Media Replacing Tool



MTC-X45PRO

Explosives & Narcotics Trace Detector

Drawing



Matrixcope LLC (USA)



sales@matrixcope.com



www.matrixcope.com